



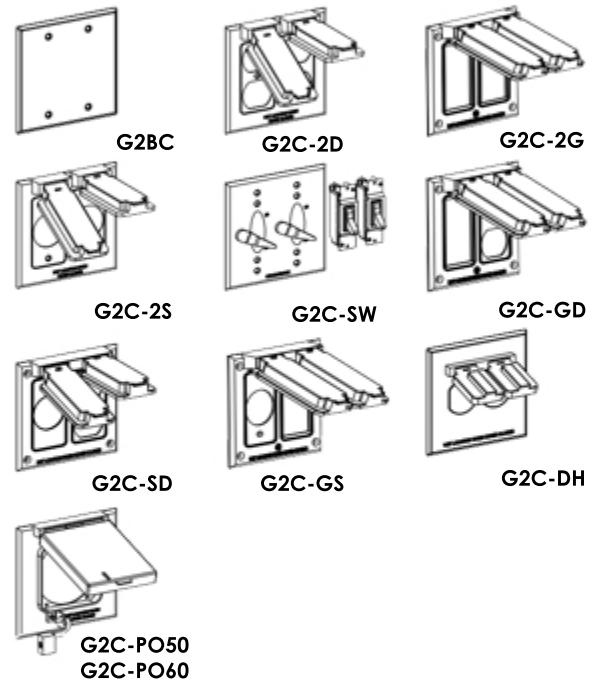
## G-BOX 2-Gang Blank and Device Covers

### Description

2-Gang Blank and Device Covers

### Features

- Zinc Die Cast
- Powder Coat Finish
- Gasket Included
- Device Mounted
- Meets NEC Article 406.9 (A) for damp and wet locations
- Width: 4-9/16"
- Height: 4-1/2"
- Available in White, Bronze, Unpainted



<b>G2BC</b>	<b>Aluminum Blank (Unpainted)</b>
<b>G2C-2D</b>	<b>Two Duplex Receptacles</b>
<b>G2C-2G</b>	<b>Two GFCI</b>
<b>G2C-2S</b>	<b>Two Single Receptacles or Two Switches - 1.406" Dia.</b>
<b>G2C-SW</b>	<b>Two Levers + Two 15A Single-Pole Switches</b>
<b>G2C-GD</b>	<b>One GFCI, One Duplex</b>
<b>G2C-SD</b>	<b>One Duplex, One Single Receptacle - 1.406" Dia.</b>
<b>G2C-GS</b>	<b>One GFCI, One Switch or Single Recept. - 1.406" Dia.</b>
<b>G2C-DH</b>	<b>Oversized One Duplex - Horiz. device mount unit</b>
<b>G2C-PO50</b>	<b>50A 3&amp;4 Wire 12 with Built-in Padlock Hasp-2.641" Dia.</b>
<b>G2C-PO60</b>	<b>50A 3&amp;4 Wire 12 with Built-in Padlock Hasp</b>

